



enzie Space Saving Stairs Pty. Ltd.

287 Arthur Street
 Fairfield, Victoria
 Australia, 3078
 Ph. +61 3 9481 2255
 Fax +61 3 9481 8919
 ACN: 126 708 118
 www.enzie.com.au

STANDARD SPECIFICATIONS

CONSTRUCTION

The stair is spiral with steel steps made from 5 mm which can be hot dip galvanized and/or filled with a variety of materials. Column is 4.9 mm thick by 101.2 mm diameter mild steel. The handrail is 38 mm and is made from either steel or timber. The balustrade is made from 10 mm toughened glass. The stair structure is mechanically jointed on site, requiring no site welding or finishing. The maximum length of any component is slightly more than one and a half metres, and weight is less than 40 kg. The stair can be manufactured in a clockwise or anticlockwise direction. The stair base-plate fits on top of the floor surface before or after floor coverings. The pre-finished stair, when erected, is complete; no further finishing is required by others; no unsightly welds, nuts or bolts are showing.

SURFACE TREATMENT

Internal stairs are supplied pre-finished in a high quality baked polyester powder coating. A range of 21 decorator colours is offered for customer selection. The handrail, in addition to finishes above, is available in stainless steel. External stairs are supplied galvanized and primed with zinc rich epoxy before being finished in baked polyester powder-coating. The timber is protected by a two pack polyurethane.

INSTALLATION

Mechanical jointing and factory pre-finishing of the stair allows installation after all other trades, including floor coverings, have been completed in the stairwell and adjoining area. Installation can be carried out by a local contractor or handyman to installation instructions supplied with stair kit. The stair kit includes all nuts, bolts, installation accessories and an installation instructional DVD.

SAFETY

The slip resistance surface of the stair treads ensures safe access. Optional extra gate can be supplied for the top or the bottom of the staircase.

DETAILS OF enzie 1500mm DIAMETER SPIRAL STAIR

GEOMETRY OF STAIRS

Stair is made with risers between 208 and 220 mm 14 steps to circle at 25.7 degrees. The going measured at 7/10ths of the clear width is 219 mm and slope relationship is 639 to 659.

TREADS AND RISES

Treads are uniform shape and size. Risers are of uniform height between 208 mm and 220 mm as required by client's application. The steps are supplied with an anti-slip surface.

HEAD ROOM

Using standard 60 degree landing 120 mm thick with 210 mm riser clear headroom is 2030 mm. Every 1 mm added to riser adds 12 mm to headroom.

HANDRAIL

Continuous and uninterrupted handrail is provided on one side and is at a vertical height of 866 mm above the nosing of the tread. Balcony railing is 1000 mm above floor.

WIDTH

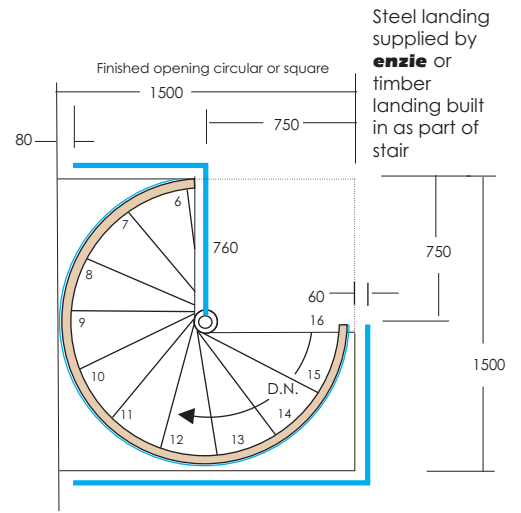
The width of stair free of obstruction is 626 mm.

BUILDING APPROVALS

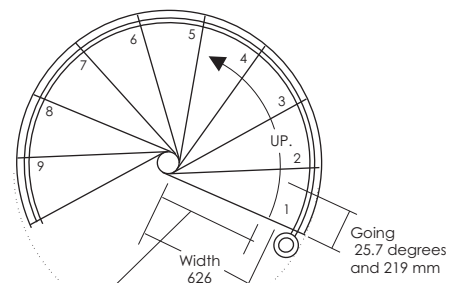
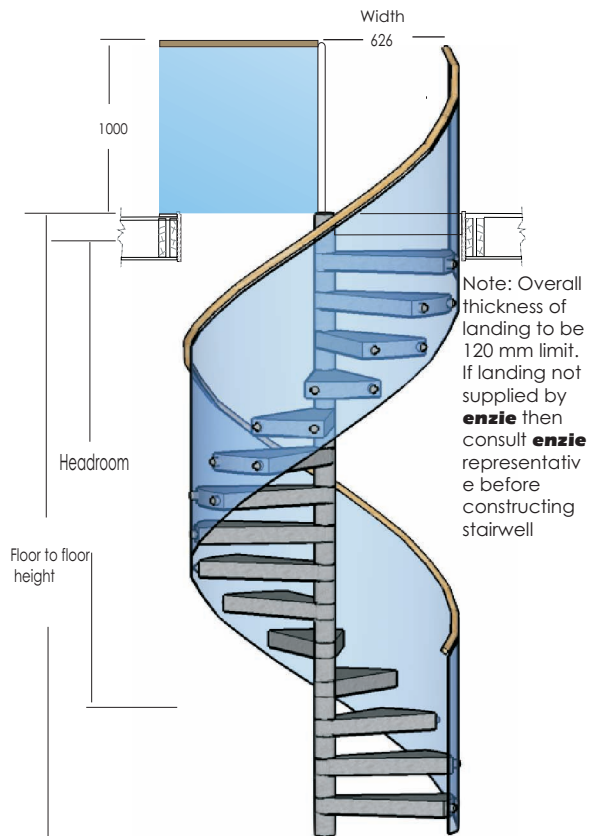
Procedure for building approval is to include a copy of this Data Sheet and Accreditation Certificate for the system with drawings showing location of proposed installation (with your required documentation) to the local building authority for their approval. Computations available on request for submission to building Authority.

PACKED WEIGHT

Approximately 40 kg per riser.



Standard stairwell and Balcony rails

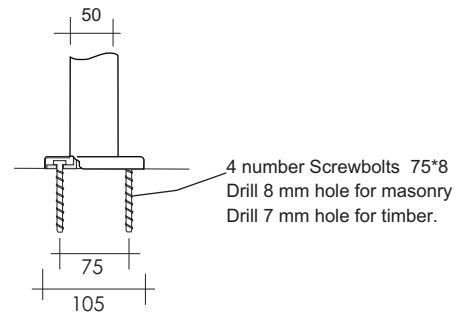
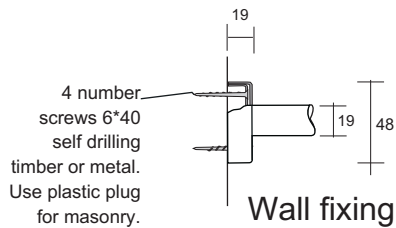


Measurement line for slope relationship is between 639 and 659 measured at 7/10 of the unobstructed stair width

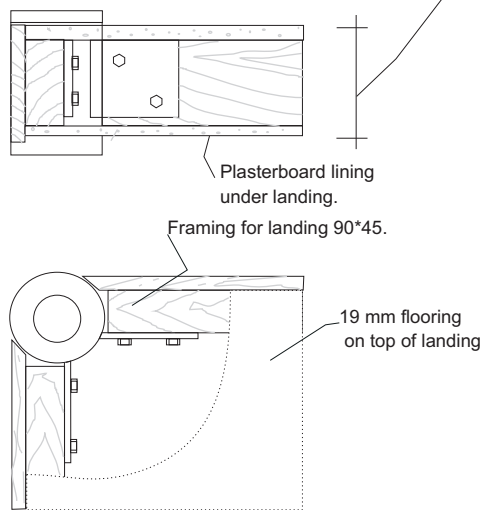
DATA SHEET enzie LUCINDA 1500/14 SPIRAL STAIR



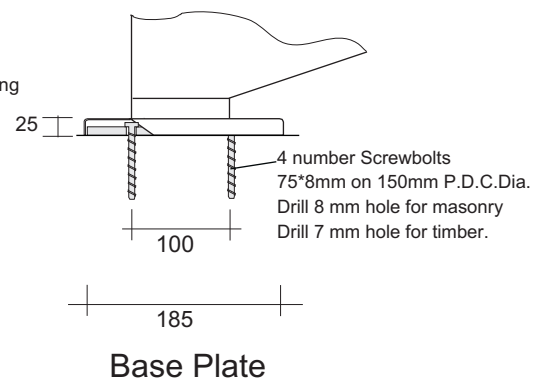
Fixing Detail



Top fixing TFN 90 type standard.



Handrail post base



Setting out examples

1600 Diameter 208 mm to 220 mm Riser 14 Treads to circle at 25.7 Degrees

| Floor to Floor Height | 2640 | 2860 | 3080 | 3300 | 3520 | 3740 | 3960 | 4180 | 4400 | 4620 | 4840 |
|-------------------------------------|------|------|------|------|------|------|------|------|------|------|------|
| Number of risers | 12 | 13 | 14 | 15 | 16 | 17 | 18 | 19 | 20 | 21 | 22 |
| Number of treads | 11 | 12 | 13 | 14 | 15 | 16 | 17 | 18 | 19 | 20 | 21 |
| Going | 282 | 308 | 334 | 360 | 385 | 411 | 437 | 463 | 488 | 514 | 540 |
| 14 Treads to circle at 25.7 Degrees | | | | | | | | | | | |

Some typical top landing examples

