



**enzie Space Saving Stairs Pty. Ltd.**  
 287 Arthur Street  
 Fairfield, Victoria  
 Australia, 3078  
 Ph. +61 3 9481 2255  
 Fax +61 3 9481 8919  
 ACN: 126 708 118  
 www.enzie.com.au

**STANDARD SPECIFICATIONS**

**CONSTRUCTION**

The stair is spiral with tapered box-section treads which are made from 2 mm and 1.6 mm mild steel. Column is 4.9 mm thick by 101.2 mm diameter mild steel. The handrail is tubular 19 mm OD by 1.6 mm mild steel and balusters are 16 mm OD by 1.6 mm steel. The stair structure is mechanically jointed on site, requiring no site welding or finishing. The maximum length of any component is slightly more than one metre, and weight is less than 15 kg. The stair can be assembled in a clockwise or an anticlockwise direction. The stair base-plate fits on top of the floor surface before or after floor coverings. The pre-finished stair, when erected, is complete; no further finishing is required by others; no unsightly welds, nuts or bolts are showing.

**SURFACE TREATMENT**

Internal stairs are supplied pre-finished in a high quality baked polyester powder coating. A range of 21 decorator colours is offered for customer selection. The handrail, in addition to finishes above, is available in stainless steel. External stairs are supplied galvanized and primed with zinc rich epoxy before being finished in baked polyester powder-coating.

**INSTALLATION**

Mechanical jointing and factory pre-finishing of the stair allows installation after all other trades, including floor coverings, have been completed in the stairwell and adjoining area. Installation can be carried out by a local contractor or handyman to installation instructions supplied with stair kit. The stair kit includes all nuts, bolts, installation accessories and an installation instructional DVD.

**SAFETY**

The synthetic rubber anti-skid pad, applied to the top of stair treads ensures safe access. Handrail balusters on the staircase are spaced as standard at a maximum of 130 mm, and on the balcony balustrade are spaced at a maximum of 125 mm. Optional extra gate can be supplied for the top or the bottom of the staircase.

**DETAILS OF enzie 1300 mm DIAMETER SPIRAL STAIR**

**GEOMETRY OF STAIRS**

Stair is made with risers between 208 and 220 mm 12 steps to circle at 30 degrees. The going measured at 7/10ths of the clear width is 219 mm and slope relationship is 639 to 659.

**TREADS AND RISES**

Treads are uniform shape and size. Risers are of uniform height between 208 mm and 220 mm as required by client's application. Anti-skid pad for each tread is supplied. This pad is replaceable if wear should occur.

**HEAD ROOM**

Using standard 60 degree landing 120 mm thick with 210 mm riser clear headroom is 2030 mm. Every 1 mm added to riser adds 12 mm to headroom.

**HANDRAIL**

Continuous and uninterrupted handrail is provided on one side and is at a vertical height of 866 mm above the nosing of the tread. Balcony railing is 1000 mm above floor.

**WIDTH**

The width of stair free of obstruction is 521 mm.

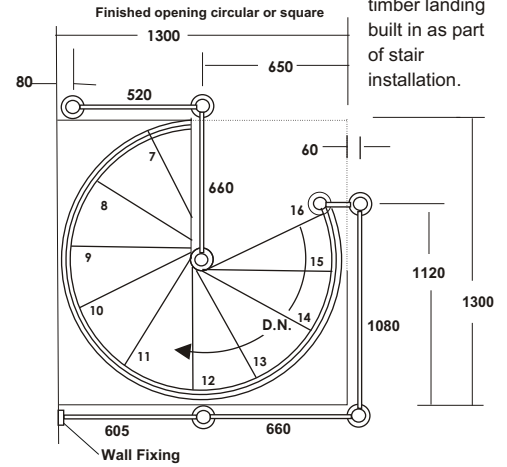
**BUILDING APPROVALS**

Procedure for building approval is to include a copy of this Data Sheet and Accreditation Certificate for the system with drawings showing location of proposed installation (with your required documentation) to the local building authority for their approval. Computations available on request for submission to building Authority.

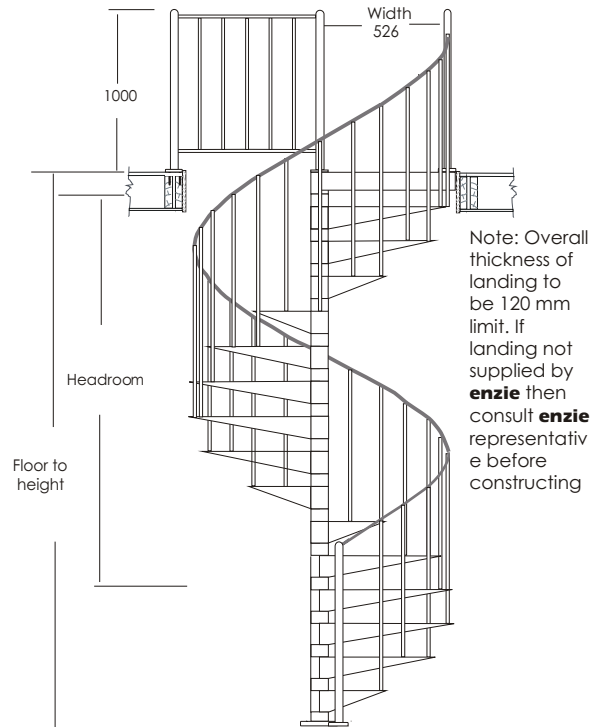
**PACKED WEIGHT**

Approximately 15 kg per riser.

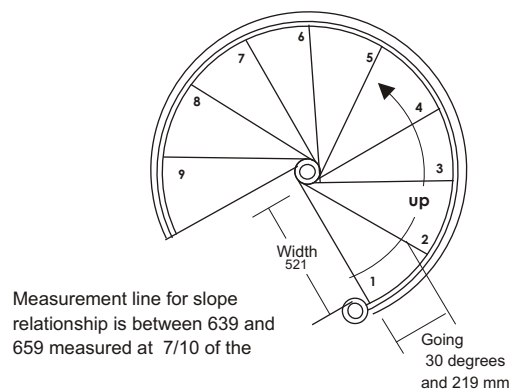
Steel landing supplied by enzie or timber landing built in as part of stair installation.



Standard stairwell and Balcony rails



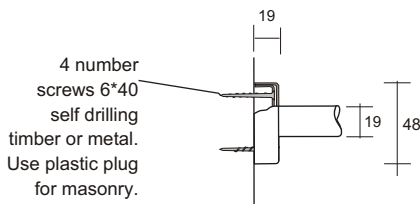
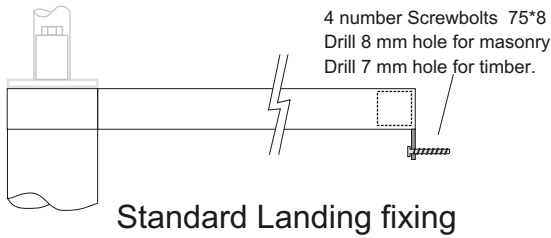
Note: Overall thickness of landing to be 120 mm limit. If landing not supplied by enzie then consult enzie representative before constructing



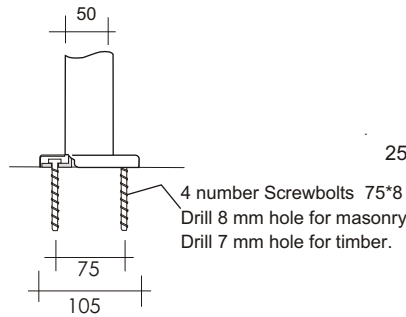
Measurement line for slope relationship is between 639 and 659 measured at 7/10 of the

Going 30 degrees and 219 mm

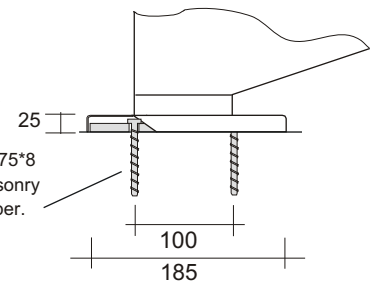
## FIXING DETAILS



**Wall fixing**



**Handrail post base**



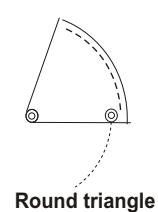
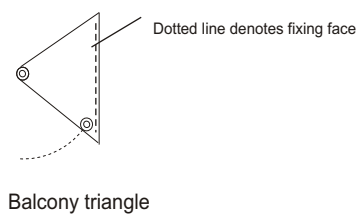
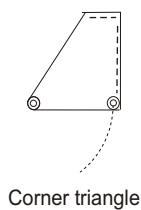
**Base Plate**

## SETTING OUT EXAMPLES

1300 Diameter 208 mm to 220 mm Riser 12 Treads to circle at 30 Degrees

Floor to Floor Height	2640	2860	3080	3300	3520	3740	3960	4180	4400	4620	4840
Number of risers	12	13	14	15	16	17	18	19	20	21	22
Number of treads	11	12	13	14	15	16	17	18	19	20	21
Going	330	360	390	420	450	480	510	540	570	600	630
12 Steps to circle at 30 Degrees											

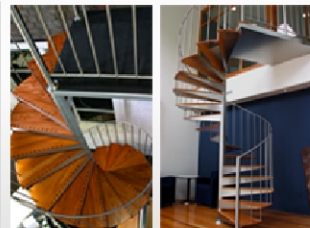
Some typical top landing examples



## FINISHES



Powder-Coated



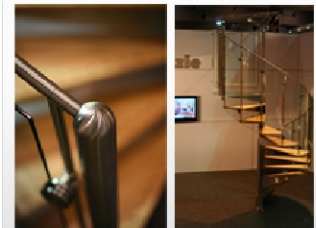
Timber-Overlays



Stainless Steel



Aluminium Enfold



Glass enfold

- 22 Standard Colours
- 6 Metallic Colours
- Non-slip tread-pads

- Your Choice of Hard Woods
- Clear Polyurethane Finish
- Non-slip Nosing

- 304 or 316

- Opt. Anodizing

- 6mm Toughened Glass

# DATA SHEET enzie H 1300/12 SPIRAL STAIR